

You



CUSTOMIZABLE PRESETS

USER-FRIENDLY

Intuitive touch screen display



FRONT LEVER (PADDLE)

Electronically managed to create and modify profiles



ENERGY SAVING SYSTEM

Component insulation and smart electronics for maximum energy efficiency



CONNECTIVITY

USB and Wifi



VOLUMETRIC PUMP

*24V High performance
Excellent stability
during profiling*

MULTI-BOILER

The boilers for both the coffee and the auxiliary services are made from AISI 316 stainless steel, and are fully insulated

FULL CONFIGURATION

Equipped with tank (2,5l) and water mains connection

(*) WiFi module during the year 2023

Characteristics



MIXED INFUSION HOT WATER FOR TEA AND HERBAL TEAS
Immediate mixing of cold / hot water for a better chemical and organoleptic quality.



LED LIGHTING OF THE WORK AREA
Allows efficient working in any condition of environmental lighting.



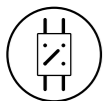
ENERGY SAVING SYSTEM
Component insulation and smart electronics for maximum energy efficiency.



AUTO-ON, AUTO-OFF AND DAY-OFF FUNCTION
Programmable ON-OFF/ON-ECO timer for each day and/or daily timetables.



TEMPCONTROL
For a very-high thermal stability (± 0.2 °C).



STATIC RELAY BOILER TEMPERATURE
Allows to regulate the temperature as accurately as possible.



EASY SERVICE
Fast access to the internal parts for quick and easy technical service.



GROUP FLUSHING
With a simple pressure of the button a small quantity of water is dispensed to allow the group to be always clean.



STAINLESS STEEL COFFEE BOILER
Guarantees excellent stability and thermal precision, associated with resistance to oxidation and limestone.



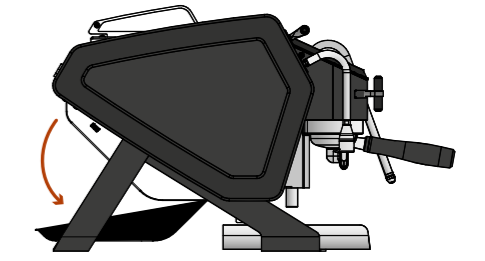
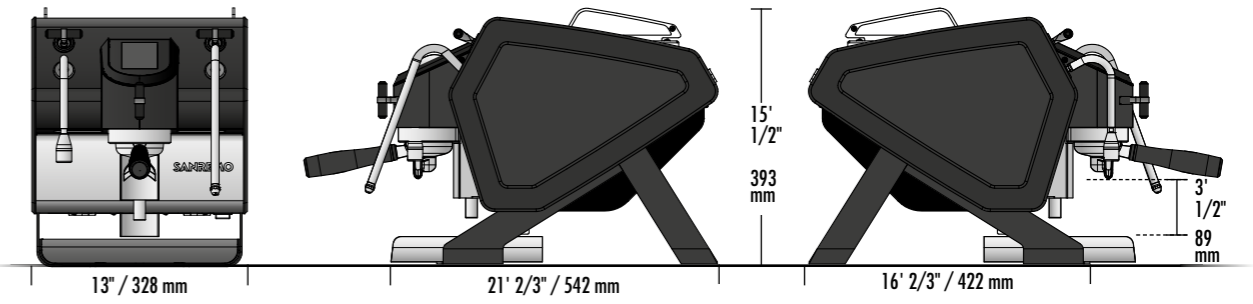
AUTOMATIC CLEANING CYCLE
Process for coffee group cleaning.



VOLUMETRIC PUMP
A new generation of pump to amplifying your experience



Versions



Technical data

voltage/max input boiler	V	220-240V / 50-60HZ / 2.20 kW
		110-120V / 50-60HZ / 1.65 kW
		100V / 50-60HZ / 1.45 kW
coffee boiler's resistor power	W	500
steam boiler capacity	lt	1
coffee boiler capacity	l	0.5
net weight	lb / kg	70.5 / 32
gross weight	lb / kg	79 / 36

You
Watch the video